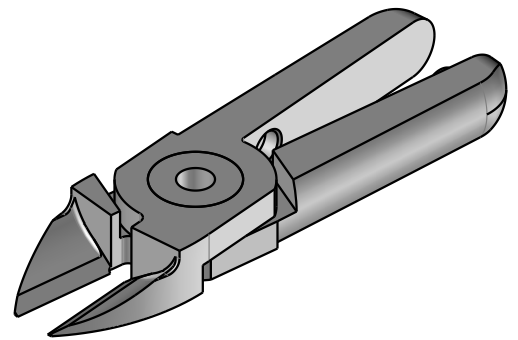
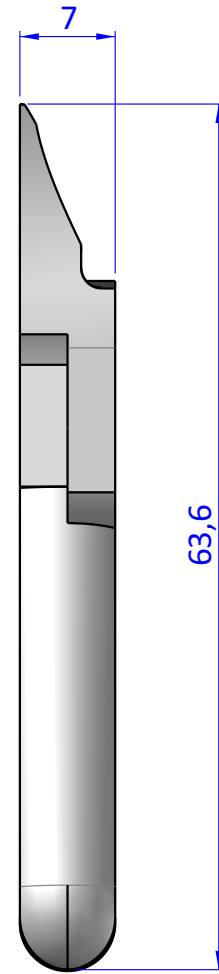
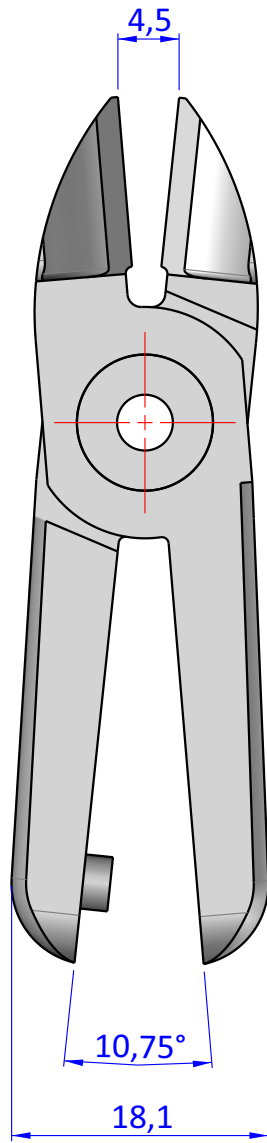


THE PROPERTY OF THE DRAWING IS ESTABLISHED BY LAW. IT IS FORBIDDEN TO PRODUCE OR SHOW IT TO THIRD PART. WITHOUT A WRITTEN AGREEMENT.



DESIGNED FROM FPS Automation		REVIEW A
DATE 03/06/2021	WEIGHT 0,033kg	
CODE VES.N5AJ		

Format A4
UNI 936-76

GENERAL TOLERANCE UNI - ISO 2768 CLASSE f

DESCRIPTION VES.N5AJ
